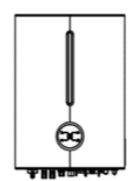
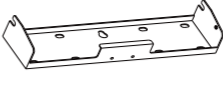






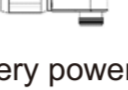






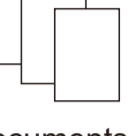


## Quick Installation Guide

### Hybrid Inverter(Hyper 3-6kW)

## II

## Packing List

 Inverter *1	 Bracket *1	 EPS Connector *1	 Grid Connector *1
 PV Connectors *2 or 4	 Wi-Fi Dongle *1	 CT *1 (Current Transformer)	 Multi COM connector *1
 Battery power Connectors *2	 Expansion Bolts *4	 Screws *1	 PE terminal *1
 BMS Connector *1 (for Li-Ion battery)	 DRM Connector *1	 Battery Temp. sensor *1 (for Lead-acid battery)	 Documents

Notice : The image shown here is for reference only. The actual product and quantity are based on delivery.

## I

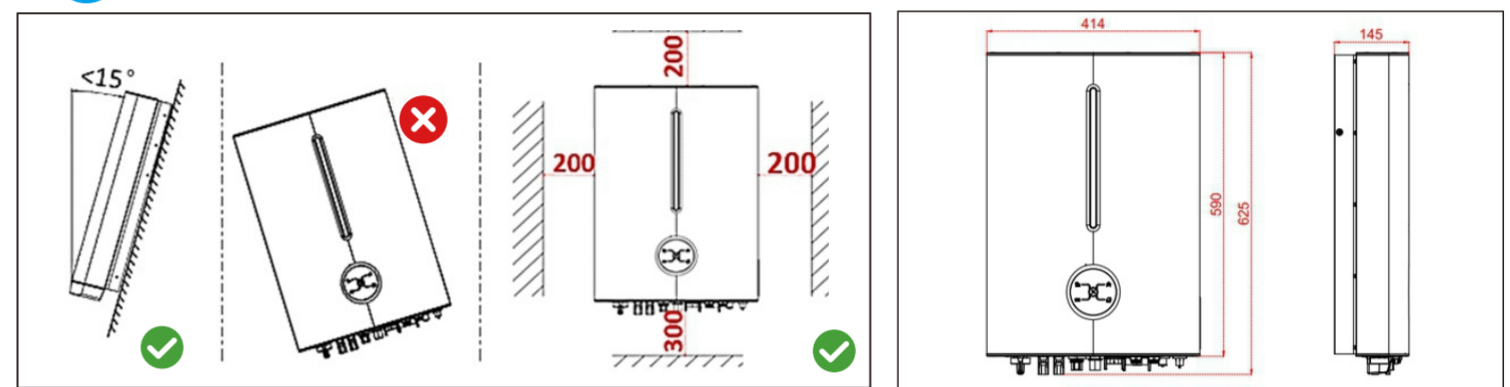
## Preparation Tools

 Bit Φ10 Hammer drill	 Rubber hammer	 Tape ruler	 Spirit level/Marker
 Protective glasses	 Dustproof Cover	 OT terminals press clamp	 Wire stripper
 DC Voltage (Range ≥ 600 V DC) Multimeter	 Euro terminal crimping tool	 Diagonal pliers	 Multifunction terminal crimping tool (RJ45)

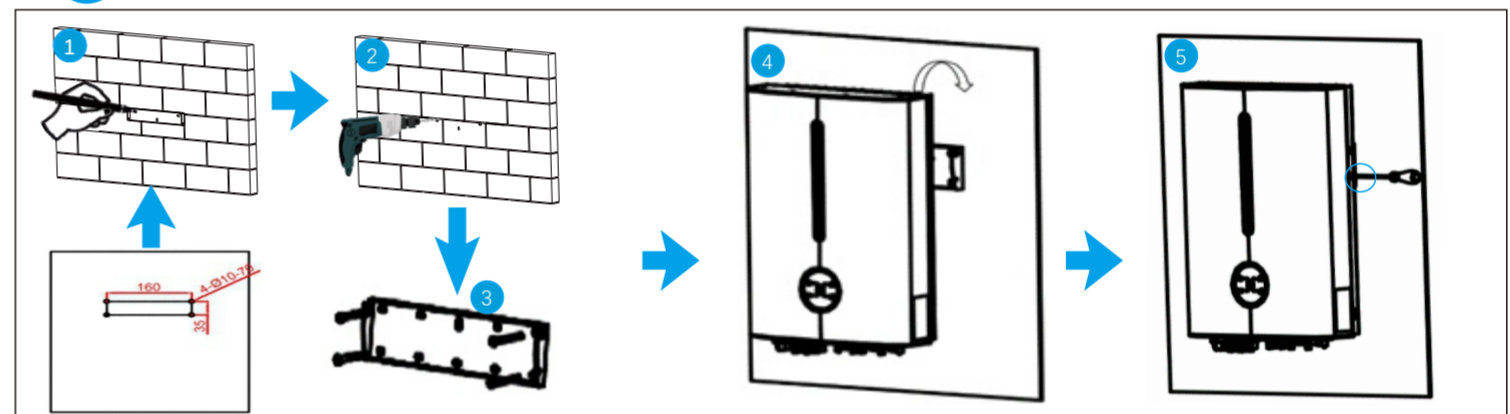
## III

## Mounting

### A Installation requirements



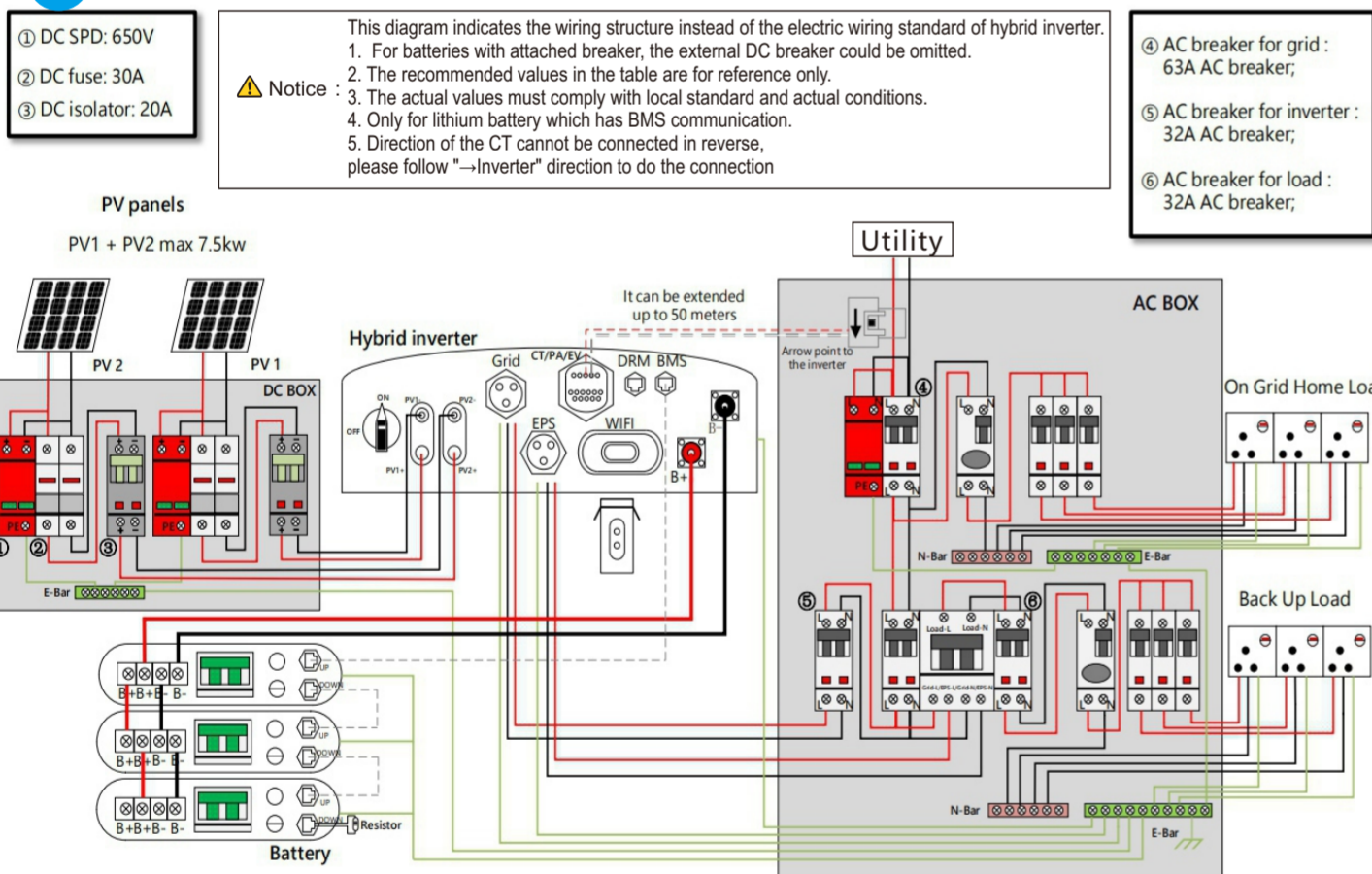
### B Wall mounting



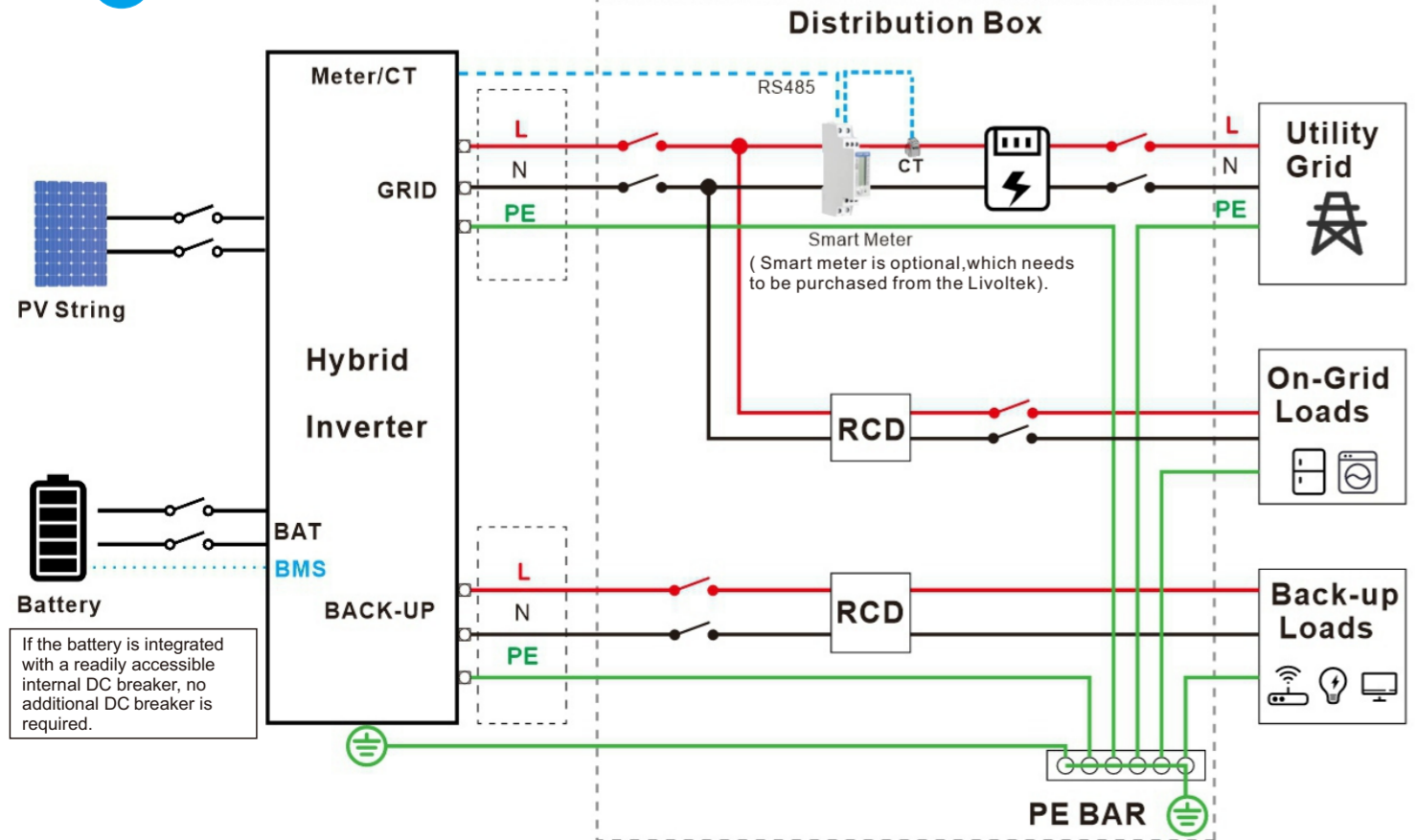
## IV

## Wiring Diagram

### A Electrical Connection Overview



### B System Connection Diagram (Applies to most countries)



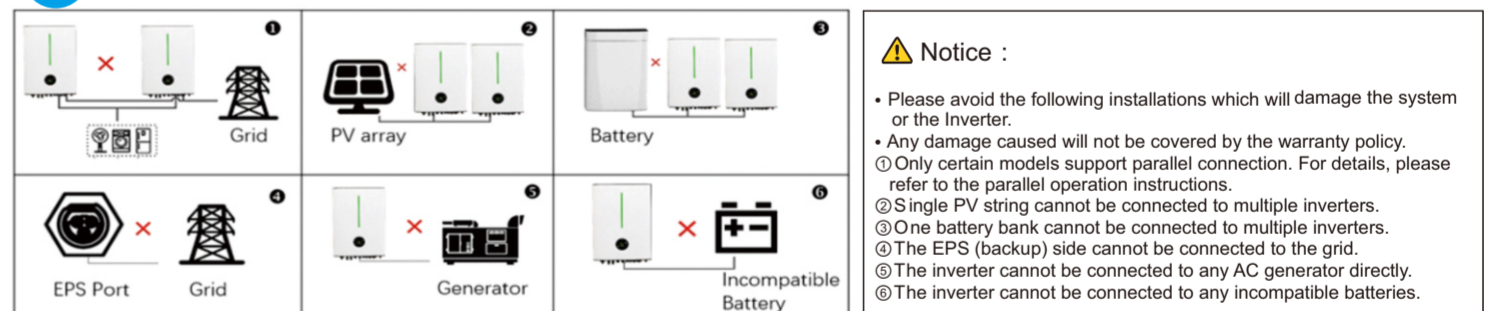
## V

## PE Cable Connection

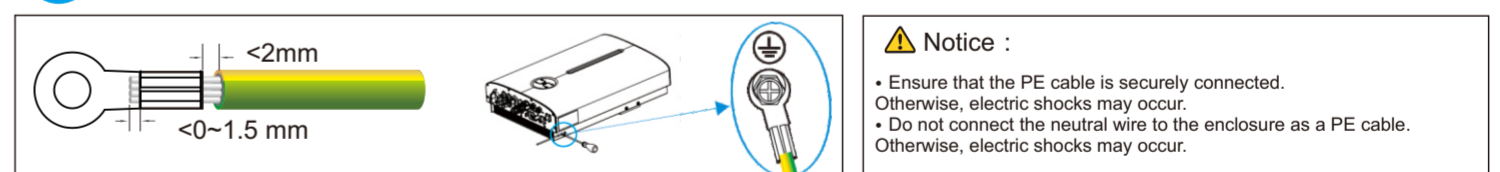
### A Please prepare the cable before connecting as follows.

No.	Cable	Cross Section	Cable diameter (mm)	Notice :
1	PV cables	4mm <sup>2</sup> - 6mm <sup>2</sup>	12~10 AWG	<ul style="list-style-type: none"> <li>Do not work with power on. All operations, cables and parts specification during the electrical connection shall be in compliance with local laws and regulations.</li> <li>Disconnect the DC switch of the inverter to power a fifth inverter before any electrical connections.</li> </ul>
2	AC cables	3-5kW 4-6mm <sup>2</sup> , 6kW 6-8mm <sup>2</sup>	3-5kW 12~10 AWG, 6kW 10~8 AWG	
3	Battery power cables	25mm <sup>2</sup>	4 AWG	
4	PE cable	4mm <sup>2</sup> - 6mm <sup>2</sup>	10 AWG	

### B Unacceptable Installations



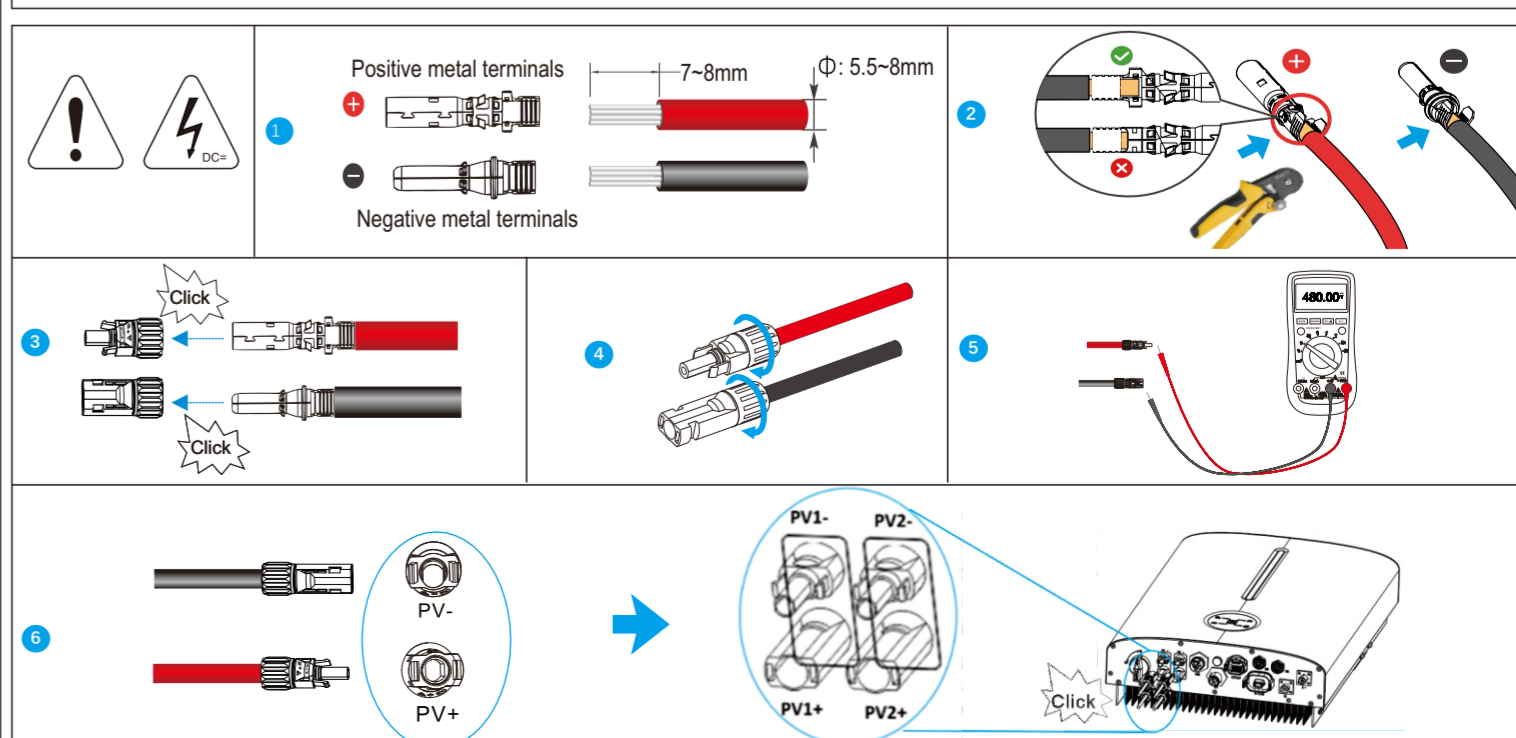
### C External Grounding (PE Cable) Connection



## VI

## PV Cable Connection

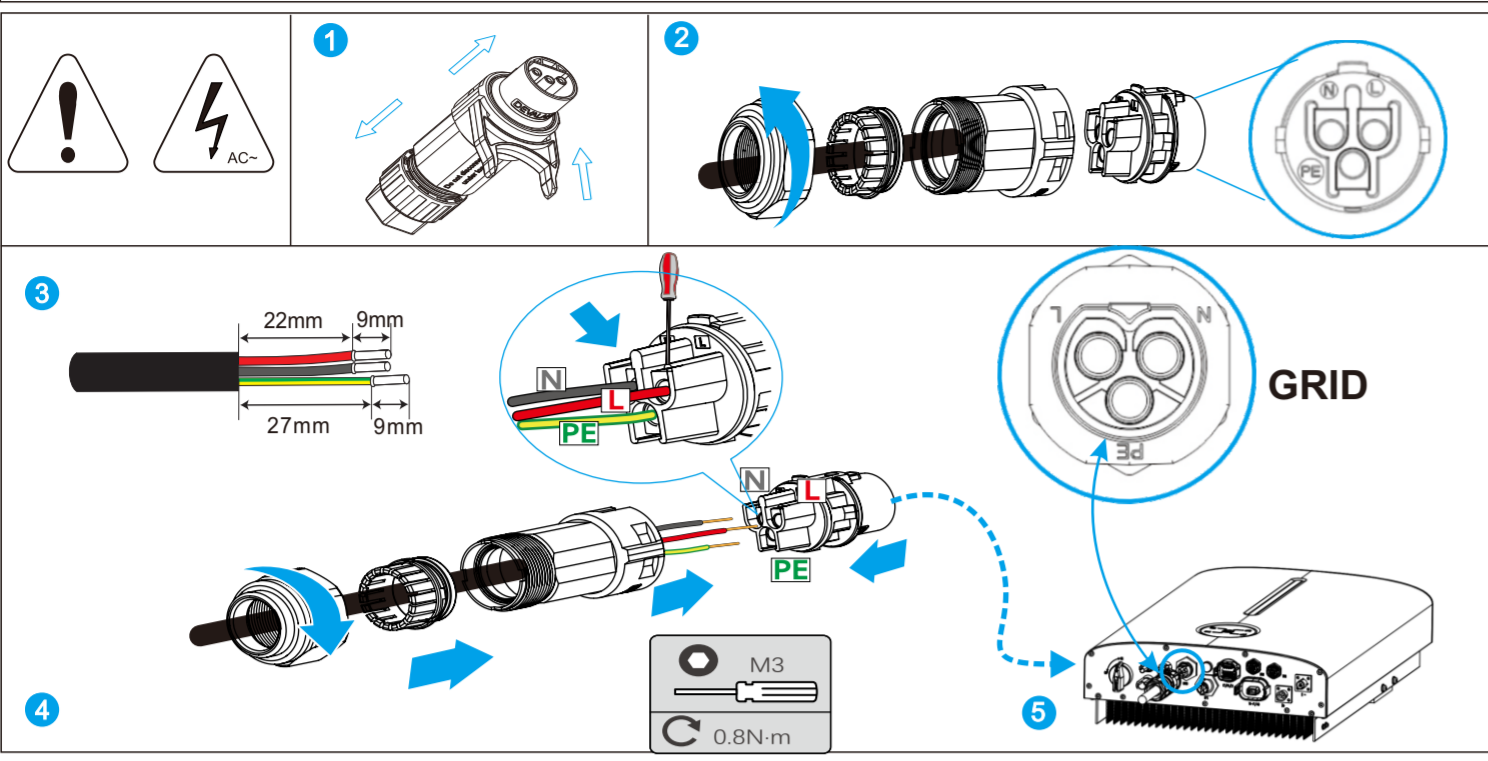
- Remove an appropriate length of the insulation layer from the PV Strings power cables.
- Connect the red wire to the positive metal terminal, and the black to the negative and crimp them using a crimping tool.
- Insert the crimped positive and negative power cables into the corresponding connectors until a "click" sound is heard.
- Tighten the locking nuts on the positive and negative connectors.
- Measure the voltage of every route Strings using a multimeter. Ensure that the polarities of the DC input power cables are correct.
- Insert the positive and negative connectors into their corresponding terminals of the inverter until a click sound is heard.





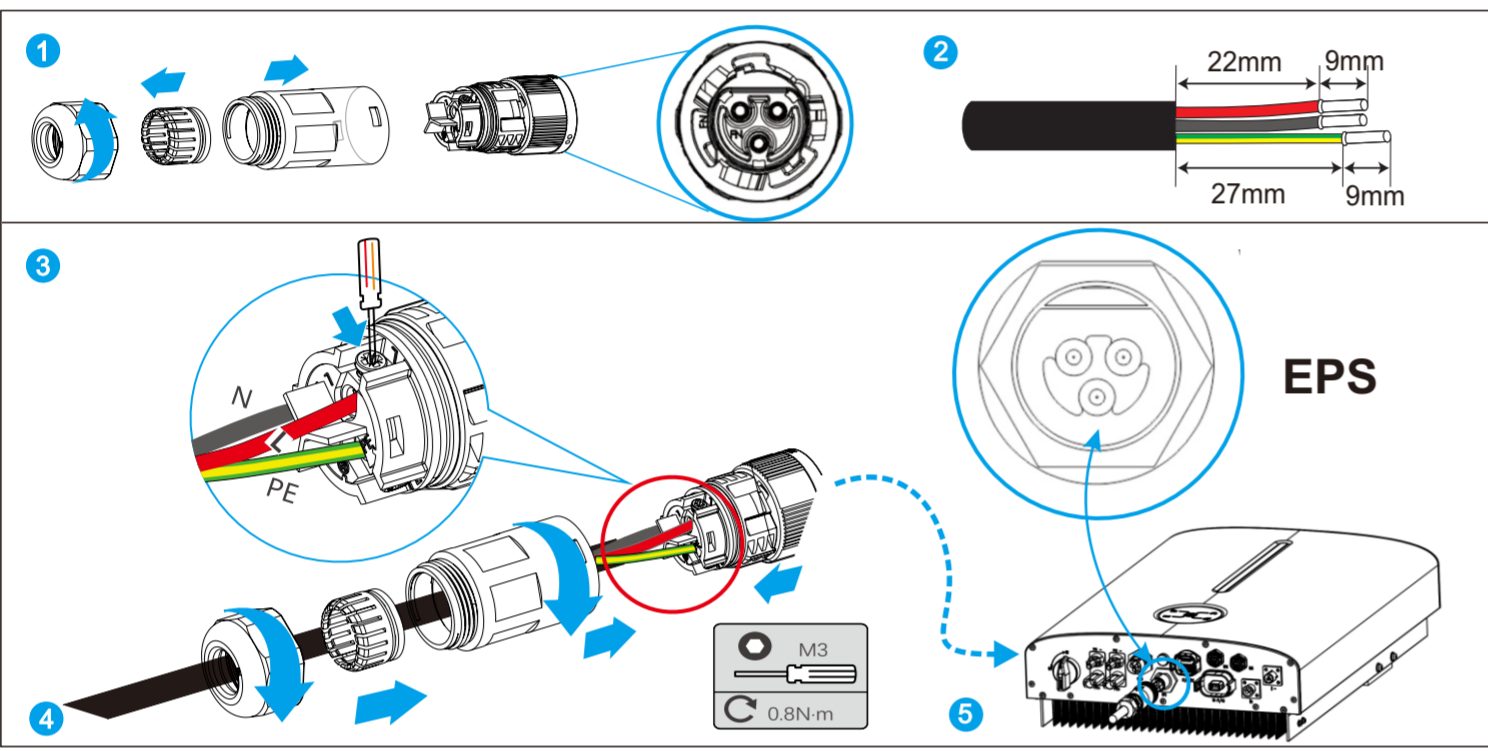
## VII AC GRID Connection

- Step 1 Take out the AC terminal from the package box and uninstall it as below chart.
- Step 2 Put the AC cables through the terminal cap, threaded sleeve in sequence.
- Step 3 Remove the cable jackets and strip the wire insulation then insert cables into connection terminals according to polarities indicates on it and tighten the screws.
- Step 4 Push threaded sleeve onto the connection terminal until both are locked tightly. Then screw up the terminal cap.
- Step 5 Unscrew the cap on the Grid port. Then insert the Grid connector into the Grid port on the bottom of the inverter.



## VIII Emergency Load Connection (Backup)

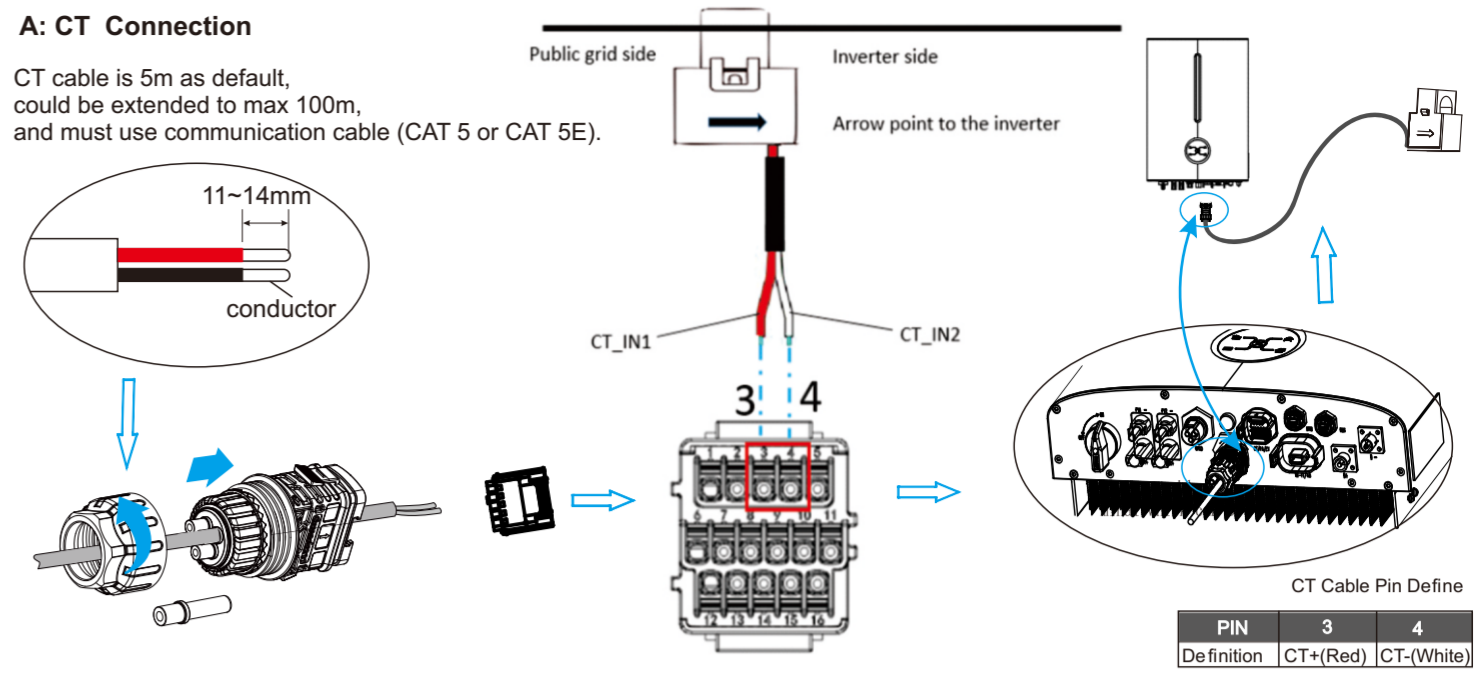
- Step 1 Take out the EPS terminal from the package box and unscrew it as below chart.
- Step 2 Thread the AC cable of appropriate length through the terminal cap, the sealing ring and the housing.
- Step 3 Remove the cable jackets and strip the wire insulation then insert cables into connection terminals according to polarities indicates on it and tighten the screws.
- Step 4 Push threaded sleeve onto the connection terminal until both are locked tightly. Then screw up the terminal cap.
- Step 5 Insert the EPS connector into the EPS port on the bottom of the inverter. Connect the other ends to the backup loads.



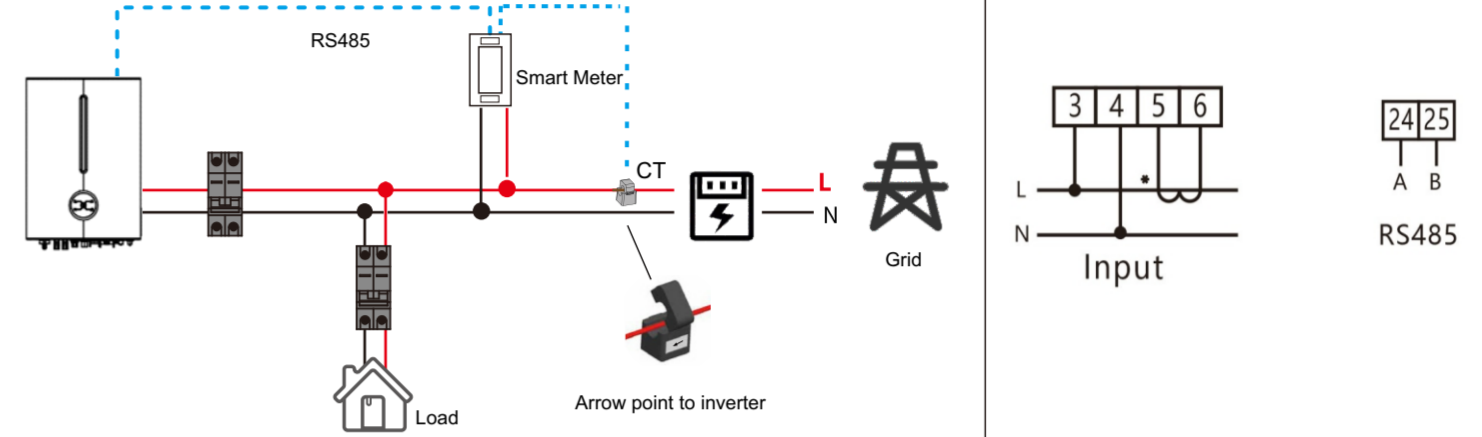
## IX COM(CT/Meter/NTC) Connection

### A: CT Connection

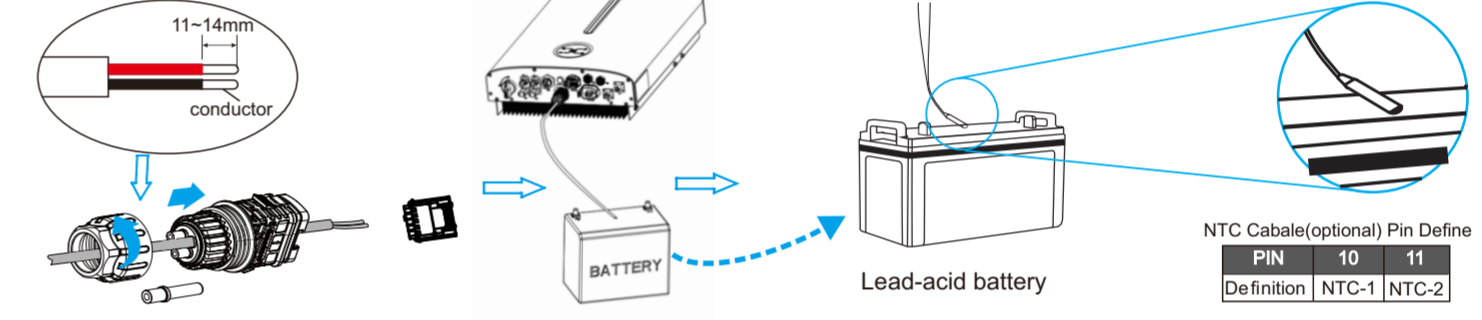
CT cable is 5m as default, could be extended to max 100m, and must use communication cable (CAT 5 or CAT 5E).



### B: Smart Meter (optional)+ CT Connection

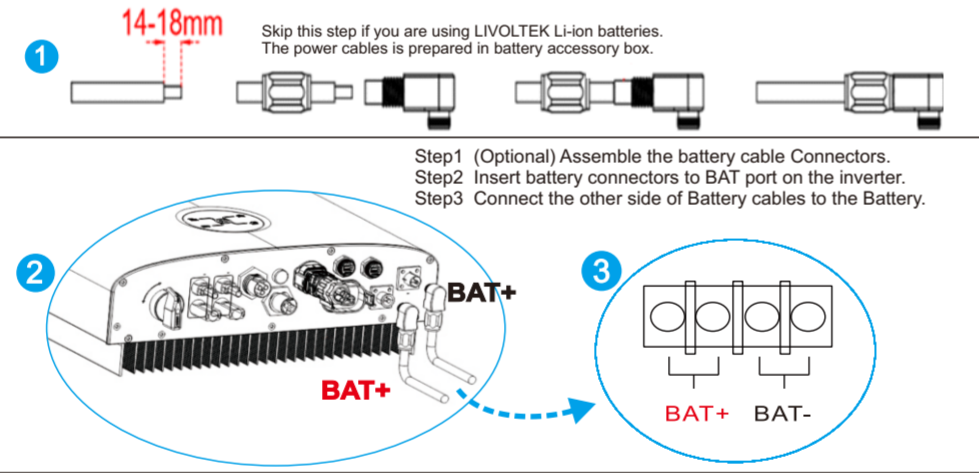


### C: Thermal sensor Connection

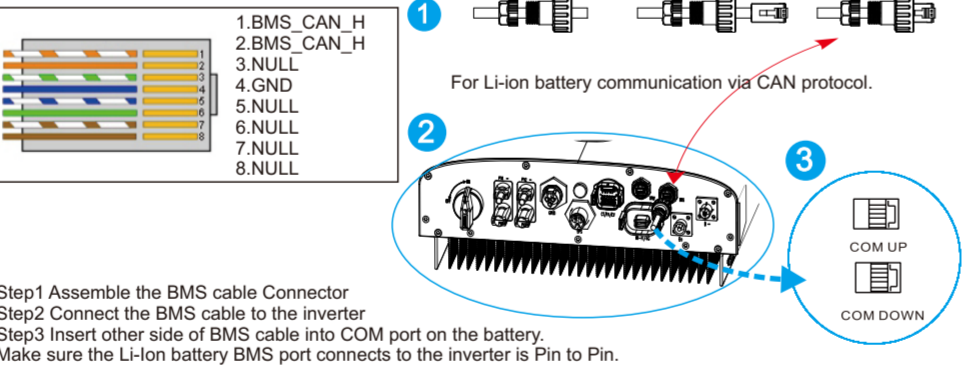


## X Battery Connection

### A: Battery power cables connection



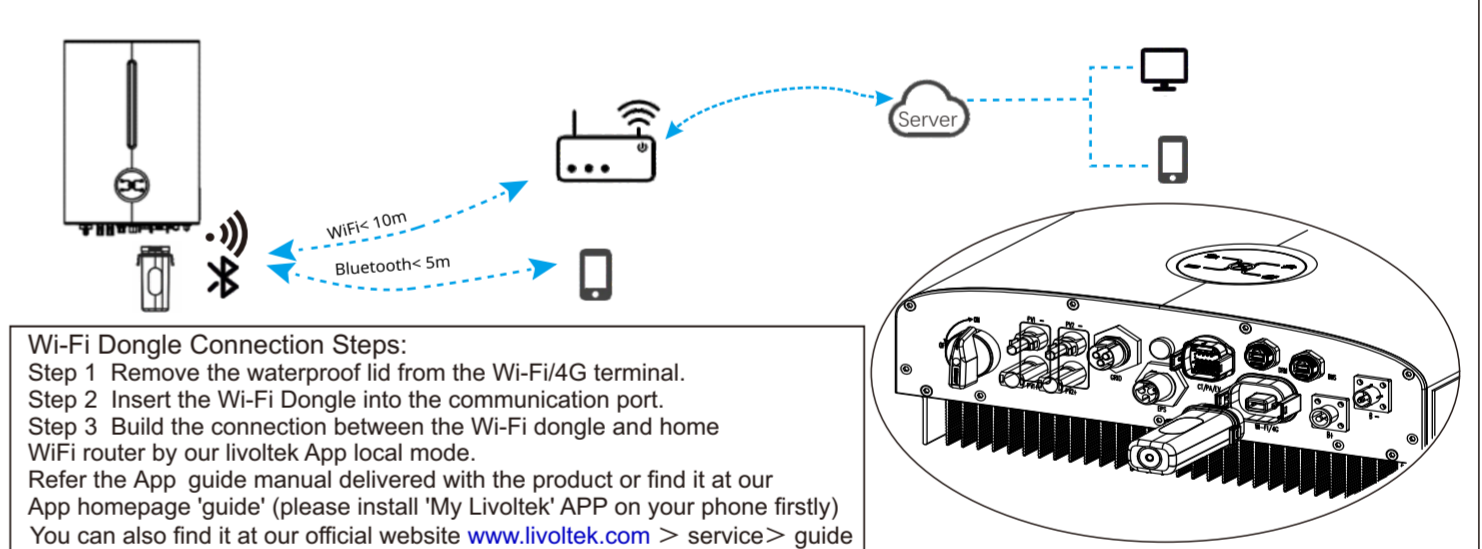
### B: BMS cable connection



- Step1 Assemble the BMS cable Connector
- Step2 Connect the BMS cable to the inverter
- Step3 Insert other side of BMS cable into COM port on the battery. Make sure the Li-ion battery BMS port connects to the inverter is Pin to Pin.

## XI Wi-Fi Dongle Connection

Wi-Fi Dongle (Wi-Fi & Bluetooth 2in1 function) establish communication connection to the LIVOLTEK portal server through wireless network to provide local or remote monitoring, data logging and maintenance on the inverter.

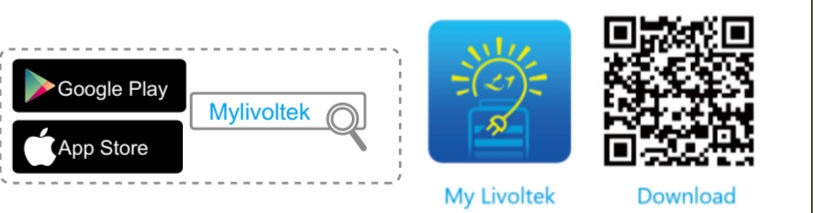


'My Livoltek' is a platform to communicate with your device via WiFi or bluetooth, you can login on our web(link as below) on your computer, also you can scan the QR code to download the APP on your phone.

APP: Search for My Livoltek on Apple App Store, Google Play.

WEB LINK1 : <https://www.livoltek-portal.com/> For Asia, Latin American, Australia and others

WEB LINK2 : <https://evs.livoltek-portal.com/> For Europe, Middle East Regions, Africa

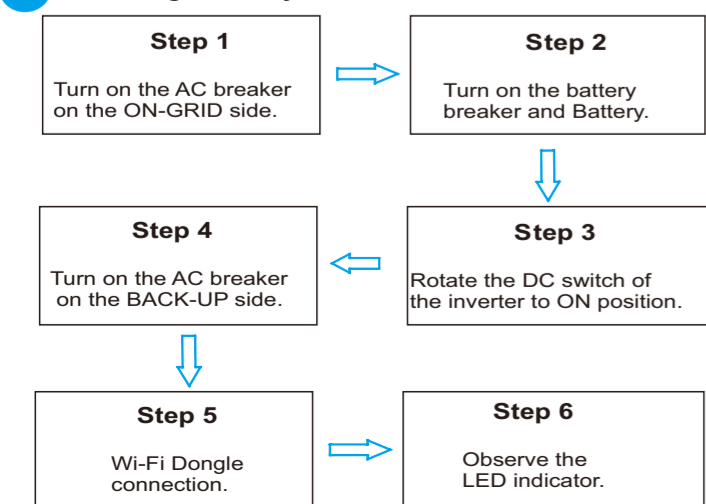


## XII Power ON/OFF the Inverter

### A Inspection before Commissioning

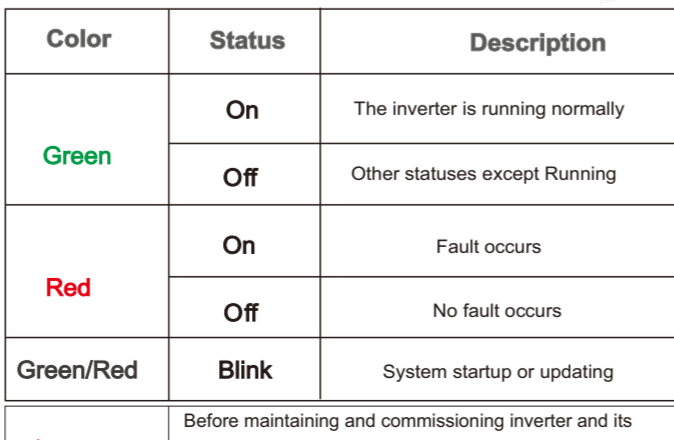
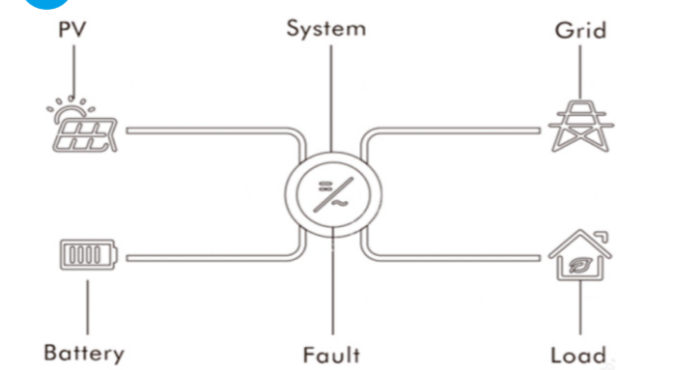
No.	Content	State
1	All the switches connected to the inverter are set to the OFF position.	Yes No
2	The inverter is installed correctly and securely.	
3	All cables are connected correctly and securely.	
4	Unused cable holes are fitted using the waterproof nuts.	
5	The Wi-Fi Dongle is installed correctly and securely.	
6	The electrical conduit holes are sealed.	
7	The CT or smart meter is connected.	
8	The battery is well connected.	

### B Powering on the System



Note: The shutdown steps are opposite to the above order.

### C LED Display



## XIII Initial Parameter Setting

